



December 2007

[Patterns](#) [Archive](#) [Submissions](#) [Advertise](#) [Support](#)

Hannah

by Blake Ehrlich



Are you tired of hats that are simply not compatible with your hair? Or the ones tease you, having a hole but mess up your hair when taking them on and off?

Hannah was a design created after my sister asked me to knit a hat that would keep her warm in the cold, New Jersey winter while allowing her to wear a ponytail neatly while the hat was on and after it was taken off.

Directions for use: Place Hannah on your head with the buttons open. Then, simply button the flap underneath your hair.



Difficulty level

Simple

Size

One size fits most

Finished circumference: 18" [46 cm] unstretched, 28" [71 cm] fully stretched

Height: 8" [29 cm]

Materials

1 skein Misti Alpaca Chunky (100% baby alpaca; 108 yd [99 m] per 100 g); color: Chartreuse Melange #7238

US 10 [6 mm] straight needles

US 10 [6 mm] double pointed needles

2 1-inch [25 mm] buttons

stitch marker

tapestry needle

Gauge

15 sts and 20 rows = 4" [10 cm] in stockinette

Pattern

Brim and flap:

With straight needles, cast on 86 sts.

Row 1: Knit.

Row 2 (RS): *K2, p2; rep from * to last 2 sts, k2.

Row 3 (WS): *P2, k2; rep from * to last 2 sts, p2.

Row 4 (buttonhole row): *K2, p2; rep from * to last 5 sts, k1, slip previous st over st just knit, p1, slip previous st over st just purled, p1, k2.

Row 5: P2, k2, cast on 2 sts over gap, *k2, p2; rep from * to end.

Rows 6-9: Rep Rows 2-3.

Rows 10-11: Rep Rows 4-5.

Rows 12-13: Rep Rows 2-3.

Row 14: Purl.

Row 15: Bind off first 10 sts, purl to end —76 sts rem.

Hat body:

Rows 16-23: Work in stockinette.

Crown decreases:



Row 24 (RS): (K9, k2tog) 6 times, k10—70 sts.

Rows 25, 27, 29 (WS): Purl.

Row 26: (K8, k2tog) 7 times—63 sts.

Row 28: (K7, k2tog) 7 times—56 sts.

Row 30: (K6, k2tog) 7 times—49 sts.



Begin working in the round: divide sts evenly over double pointed needles. Place marker for beginning of round.

Rnds 31, 33, 35, 37: Knit.

Rnd 32: (K5, k2tog) 7 times—42 sts.

Rnd 34: (K4, k2tog) 7 times—35 sts.

Rnd 36: (K3, k2tog) 7 times—28 sts.

Rnd 38: (K2, k2tog) 7 times—21 sts.

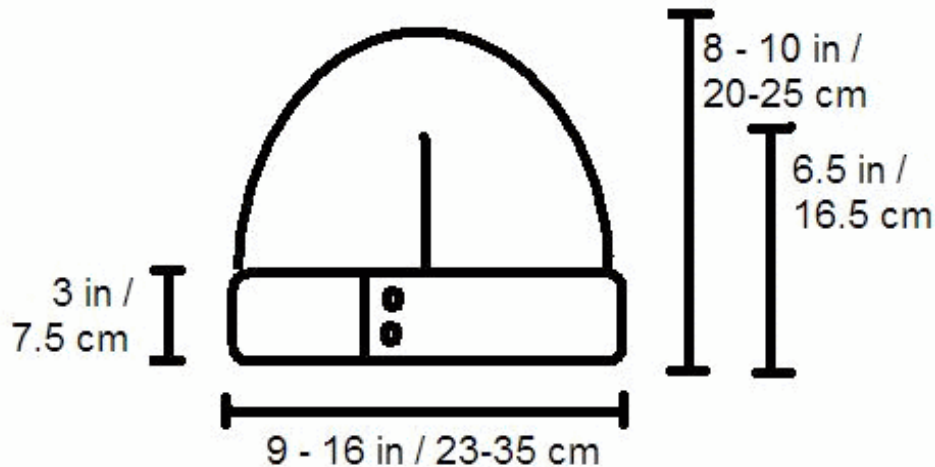
Rnd 39: (K1, k2tog) 7 times—14 sts.

Rnd 40: (K2tog) 7 times—7 sts.

Finishing

Cut yarn and thread tail on to a yarn needle. Slip remaining stitches onto yarn needle and pull stitches tightly and secure.

Weave in ends. Attach buttons.



Designer

Blake Ehrlich recently moved to San Jose, California from Chandler, Arizona and works as an elementary school secretary while trying to figure out what to do with her life- besides knit!

She misses her friends and favorite yarn store, but welcomes the chance to knit for cold weather!

[Email.](#)

Individual pattern & photo copyright remains with the designer. See our [legal page](#) for more information.

Editor - [Kerrie Allman](#). Technical editor - Alexandra Virgiel
Logo design by [Amy Arifin](#).